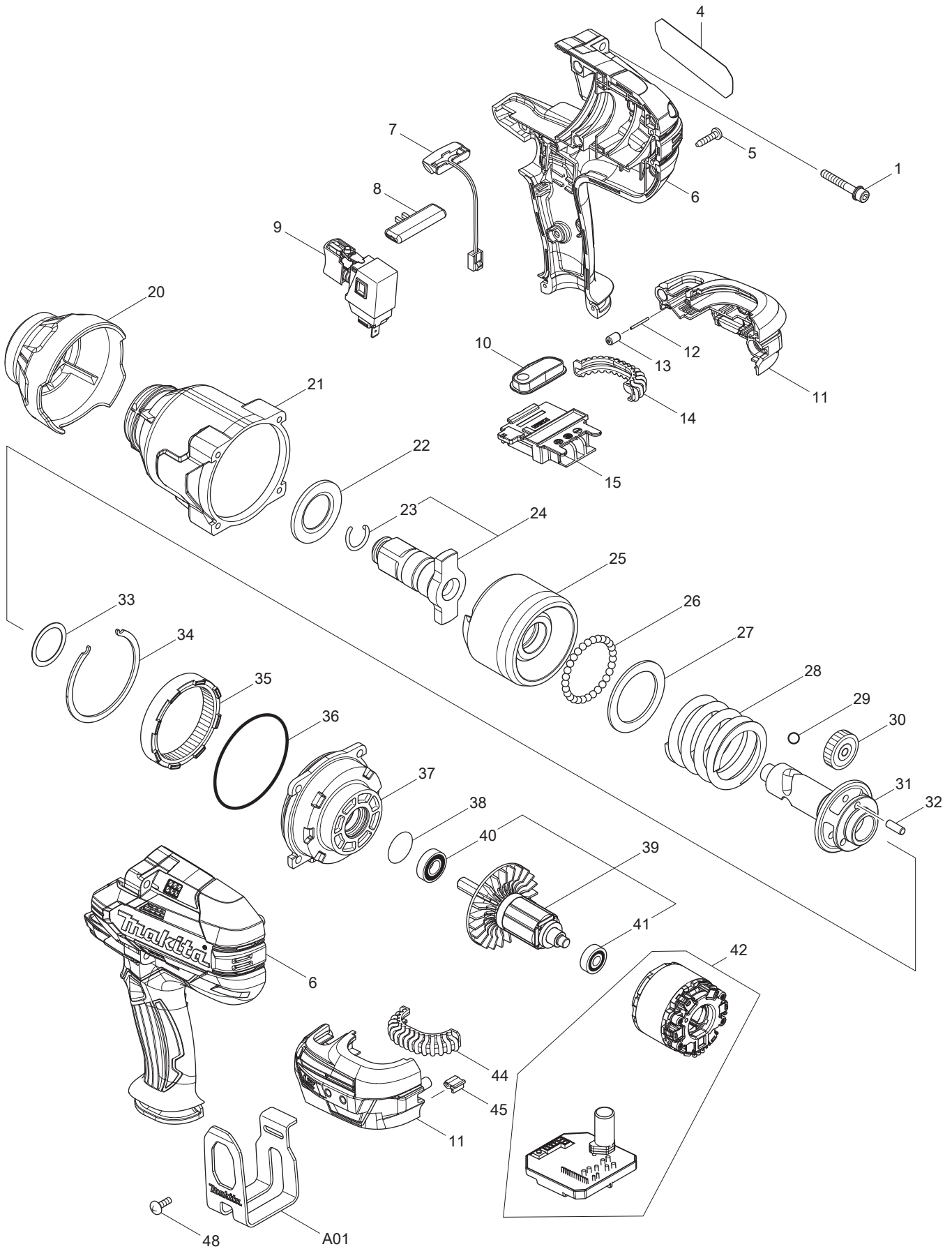




10 - 2015
DTW1001Z, DTW1001RTE
18V Brushless 3/4" Impact Wrench



PARTS LIST

Item No	Type	Part No	Description	Qty	Unit
001	1	251476-6	H.S.H.BOLT M5X35 WITH WR	4	PC.
001	2	265D13-4	H.S.H.BOLT M5X35 WITH WR	4	PC.
004	2	851K63-1	DTW1001 NAME PLATE	1	PC.
005	2	265A48-7	TAPPING SCREW 4X18	9	PC.
006	2	183H36-3	HOUSING SET	1	SET
006	3	1830A6-1	HOUSING SET	1	SET
007		620351-1	LED CIRCUIT	1	PC.
008		456268-0	F/R CHANGE LEVER	1	PC.
009		143416-7	SWITCH COMPLETE	1	PC.
010		143417-5	SWITCH PLATE COMPLETE	1	PC.
011		183C12-7	BATTERY HOUSING SET	1	SET
011	INC.		Item No. 46		
011	INC.	263005-3	RUBBER PIN 6	2	PC.
012		268284-8	PIN 1.5	1	PC.
013		263036-2	RUBBER PIN 5	1	PC.
014	1	424773-5	CUSHION RUBBER	1	PC.
014	2	422A56-3	CUSHION RUBBER	1	PC.
015		643899-6	TERMINAL	1	PC.
020	2	424978-7	* BUMPER	1	PC.
021	2	144473-8	* HAMMER CASE COMPLETE	1	PC.
022		346948-5	WASHER 25	1	PC.
023	2	232334-5	RING SPRING 16	1	PC.
024	2	135803-4	ANVIL E ASS'Y	1	PC.
024	2	INC.	Item No. 23		
025		326612-4	HAMMER	1	PC.
026		216002-8	STEEL BALL 4.8	29	PC.
027		267493-6	FLAT WASHER 38	1	PC.
028		234383-8	COMPRESSION SPRING 38	1	PC.
029		216009-4	STEEL BALL 7.1	2	PC.
030	3	226880-8	SPUR GEAR 24	3	PC.
031		326611-6	SPINDLE	1	PC.
032		268079-9	PIN 5	3	PC.
033	2	267127-1	FLAT WASHER 26	1	PC.
034		346947-7	RETAINER	1	PC.
035		227392-4	INTERNAL SPUR GEAR 54	1	PC.
036		213720-9	O RING 67	1	PC.
037		135718-5	INTERNAL GEAR CASE ASS'Y	1	PC.
037	INC.		Item No. 36,38		

Item No	Type	Part No	Description	Qty	Unit
038		213961-7	O RING 22	1	PC.
039	3	519592-3	ROTOR ASS'Y	1	PC.
039	3	INC.	Item No. 40,41		
040		210069-8	BALL BEARING 6900DDW	1	PC.
041		211022-7	BALL BEARING 607ZZ	1	PC.
042	3	629B59-6	* STATOR	1	PC.
044	1	424773-5	CUSHION RUBBER	1	PC.
044	2	422A56-3	CUSHION RUBBER	1	PC.
045		424517-3	CUSHION	1	PC.
048		251314-2	+ SCREW M4X12 F/ HOOK (Item No. A01)	2	PC.
049		857K64-9	DTW1001 SERIAL NO. LABEL	1	PC.
050		620K60-2	* CONTROLLER	1	PC.
051		652119-7	* PH SCREW M2X6	6	PC.
A01		346949-3	HOOK	1	PC.
A02		---	BATTERY CHARGER		
A03		---	18V LI-ION BATTERY		
A04		---	LI-ION BATTERY ACCESSORIES		
A05		---	3/4" IMPACT WRENCH ACCESSORIES		
A06		821669-5	PLASTIC CARRY CASE	1	PC.
A06	INC.	162315-4	LATCH	2	PC.
A06	INC.	452137-3	HANDLE	1	PC.
A06	INC.	452143-8	SHAFT	2	PC.
A07		197212-5	INTERLOCKING CASE L	1	PC.
A07	INC.	453974-8	LATCH	4	PC.
A08		837645-9	INNER TRAY F/ INTERNAL LOCKING CASE L	1	PC.
A09		191G67-2	EXTENSION HANDLE	1	PC.
C01		820V82-6	CARTON F/DTW1001Z	1	PC.
C02		817B01-1	CARTON LABEL F/DTW1001Z	1	PC.
F01		197538-5	RING SET (Not available as a set)	1	SET
F01	INC.	282022-4	RING 40	1	PC.
F01	INC.	162341-3	BRACKET	1	PC.

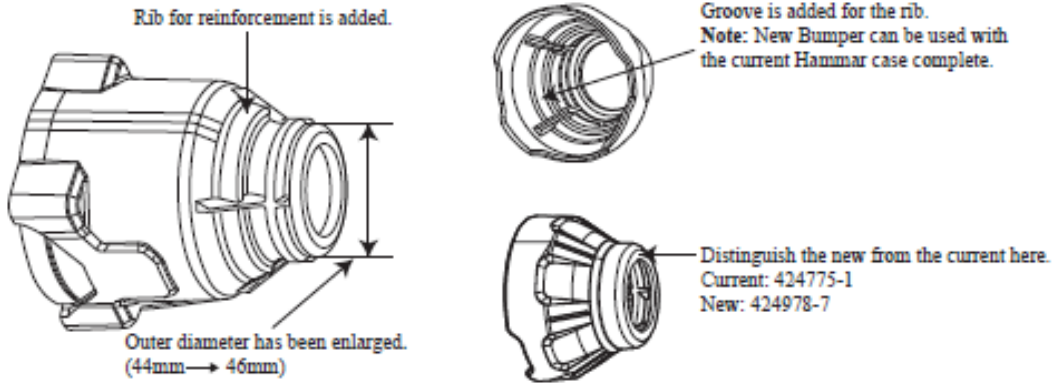
SERVICE CHANGES: DTW1001

1. Changes on Bumper & Hammer Case Complete

(TI#B6398)

Item No.	Description	Type 1	Type 2
20	Bumper	424775-1	424978-7
21	Hammer Case Complete	143411-7	144473-8

Above parts are completely interchangeable as a set.



2. Changes on Stator Complete

(TI#B8967)

(TI#DE552)

Item No.	Description	Type 1	Type 2	Type 3
42	STATOR COMPLETE	629170-2	629330-6	-----
	STATOR	-----	-----	629B59-6
50	CONTROLLER	-----	-----	620K29-2
51	PAN HEAD SCREW M2X6	-----	-----	652119-7

Above parts are completely interchangeable as a set.